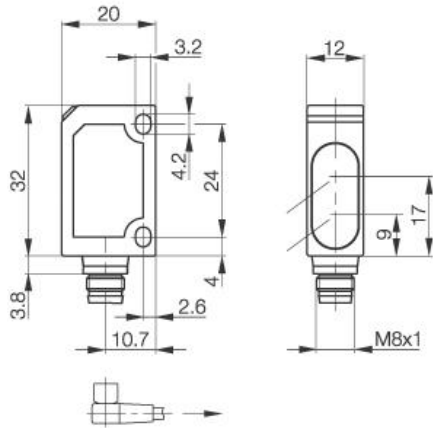


Photoelectric Sensor BLE 6K-PU-1E-S 49-C Sn=6000mm through-beam

PX1318b



Common Data

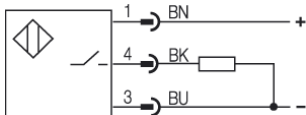
| | |
|-----------------------------------|---------------------|
| Series | 6K |
| Sensortype | through-beam |
| Switching frequency | 500 Hz |
| Rated operating distance Sn in mm | 6000 |
| asured operating distance Sa | adjustable |
| Indication Supply Voltage | yes, green LED |
| Indication Switching element on | yes, yellow LED |
| Indication Special funktion | yes, green LED |
| Ambient temperature | -20...+60°C |
| On-delay | <1ms |
| Off-delay | <0,5ms |
| Light | Red light |
| Sensitivity Adjustment | Teach in |
| Permissible ambient light | 5000 Lux |
| Output function | light-on or dark-on |

Mechanical Data

| | |
|--------------------------|---------------------------------|
| Measurements | 32x20x12 |
| Shock | Halfsinus, 30gn, 11ms |
| Vibration | 10...55Hz, 1,5mm Amplitude 3x2h |
| Housing material | ABS impact resistant |
| Material of sensing face | PMMA |
| Degree of protection | IP67 |
| Connection | Connector S49 (M8,3-pin) |
| Weigth | 40g |
| Recommended connector | BKS-S49 |

Electrical Data

| | |
|-------------------------------------|---------------|
| Current | DC |
| Switching function | NO/NC |
| Output | PNP |
| Rated operational voltage Ue | 24V DC |
| Rated operational current Ie | 100mA |
| Supply Voltage | 10...30V DC |
| Ripple | < 10% from UB |
| Frequency of Supply Voltage | DC |
| No-load supply current | <35mA |
| Voltage drop | <2,4V |
| Short protection | yes |
| Protected against polarity reversal | yes |
| Rated insulation voltage | 250V AC |
| max. Load capacity | 0,33µF |



Utilization categories
Insulation class

Datasheet number:

Definitions see general catalog.
If not otherwise noted, ratings according to
IEC 60947-5-2 (DIN EN60947-5-2)

Balluff GmbH
Schurwaldstrasse 9
73765 Neuhausen a.d.F.
Phone (07158) 173-0 Fax (07158) 5010

Datenblatt by CD-ROM - 04/2007

BALLUFF
sensors worldwide